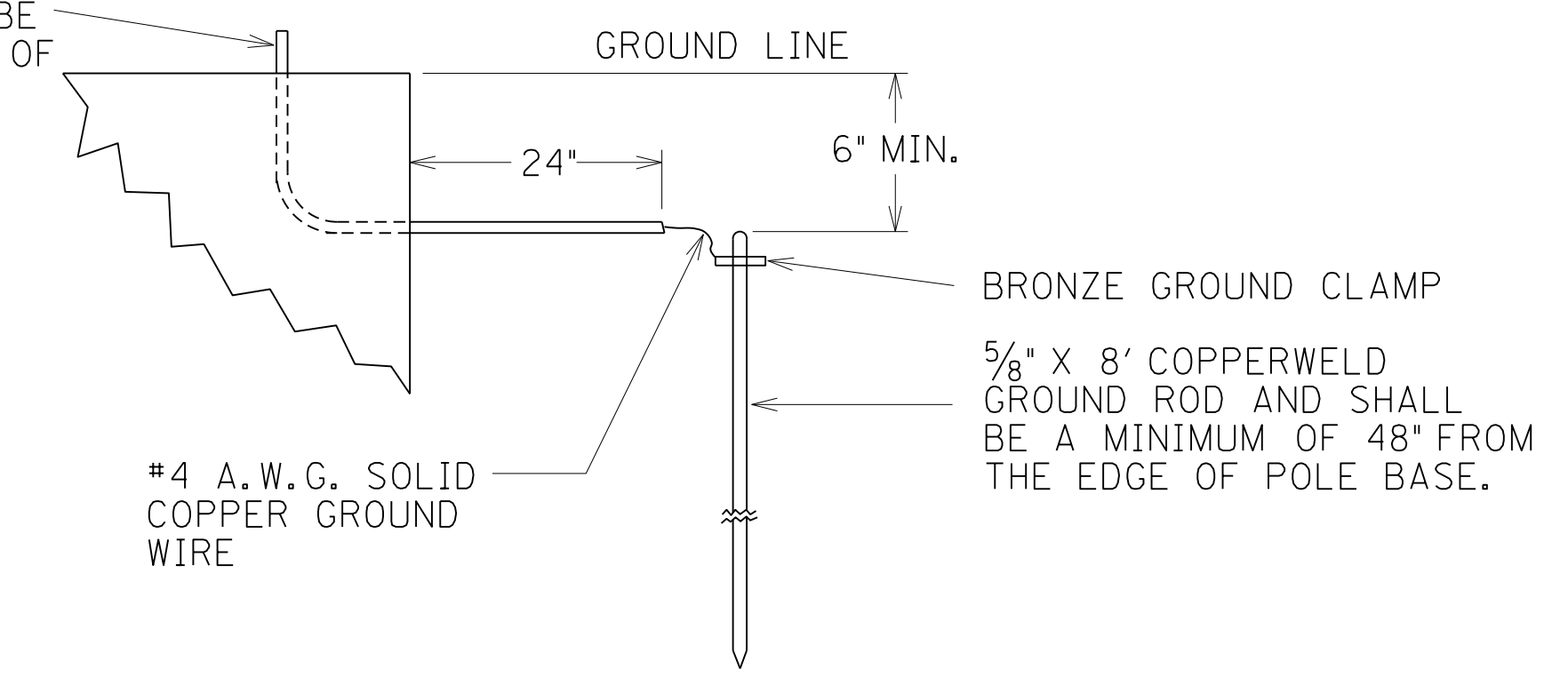


THE ANCHOR BOLTS AND CONDUITS SHALL NOT BE PROJECTED MORE 4 INCHES ABOVE A GROUND LINE BETWEEN THE STRADDLING WHEELS OF A VEHICLE.

**BREAKAWAY SUPPORT STUB HEIGHT MEASUREMENT**

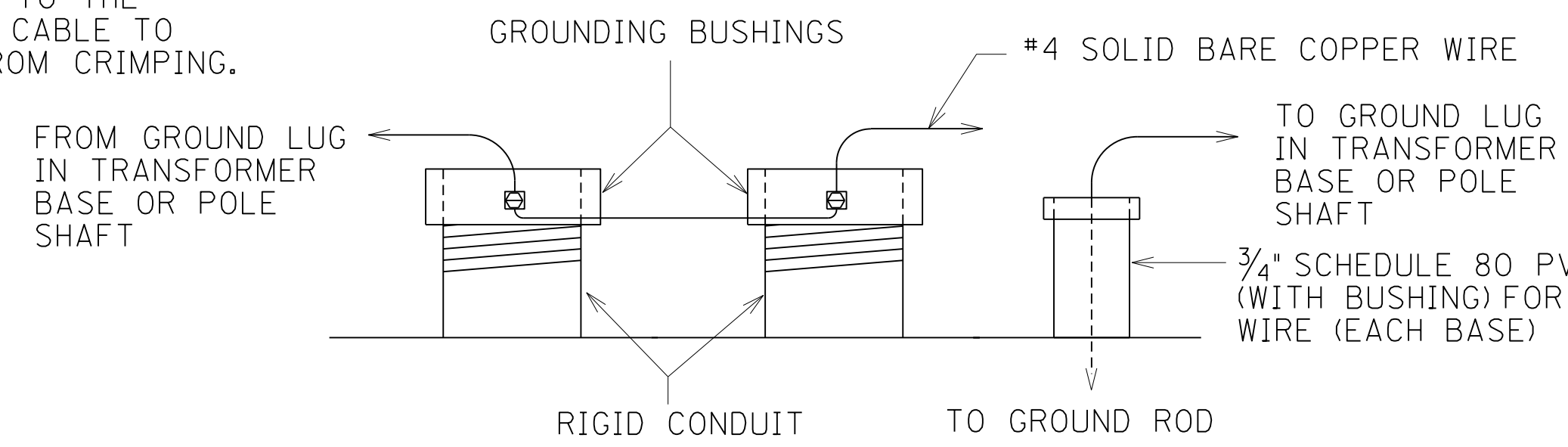
3/4" SCHEDULE 80 PVC CONDUIT (WITH BUSHING) FOR GROUND WIRE (EACH BASE) AND SHALL BE A MIN OF 24" FROM THE EDGE OF THE POLE BASE.



**GROUNDING DETAIL**

IF DUCTED CABLE INSTALLED BETWEEN POLE BASES: INSTALL RIGID STEEL/DUCTED CABLE COUPLING. USE BONDUIT CONDUIT ADHESIVE OR APPROVED EQUAL TO CONNECT THE RIGID STEEL TO DUCTED CABLE. RACEWAYS SHALL BE THE SAME SIZE AS THE DUCTED CABLE WHICH ATTACHS TO THE RIGID STEEL CONDUIT. ALTERNATELY IF DUCTED CABLE IS USED, THE CONTRACTOR CAN INSTALL RIGID STEEL CONDUIT TWO TIMES THE SIZE OF THE DUCT AND RUN THE DUCT INSIDE THIS CONDUIT. THE SWEEP FOR THE CONDUIT SHALL BE INCREASED TO ADHERE TO THE BENDING RADIUS RECOMMENDED BY THE MANUFACTURER OF THE DUCT.

DUCTED CABLE INSTALLED THROUGH 3" CONDUIT CROSSINGS TO LUMINAIRE POLE BASE: INSTALL DUCTED CABLE INTO THE POLE BASE. THE DUCT SHOULD BE EXTENDED 1" ABOVE THE CONDUIT. THE CONDUIT SWEEP SHOULD BE INSTALL ACCORDING TO THE MANUFACTURER OF THE DUCTED CABLE TO PREVENT THE DUCTED CABLE FROM CRIMPING.



**TYPICAL GROUNDING DETAIL**

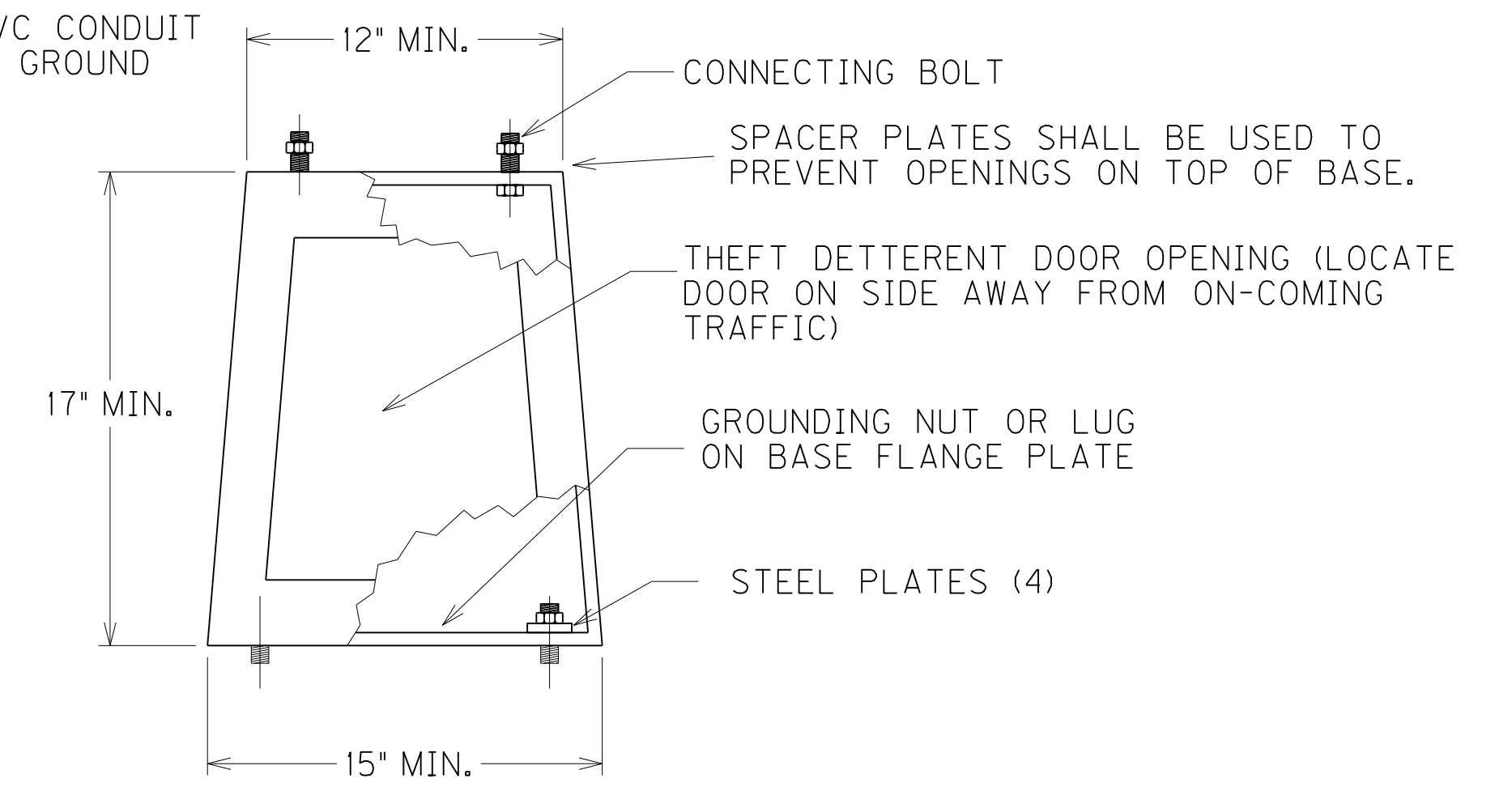
**GROUNDING REQUIREMENTS:**

CONTRACTOR SHALL PROVIDE A MINIMUM OF 6 INCHES OF GROUND WIRE FOR TESTING PRIOR TO CONNECTING THE WIRE TO TRANSFORMER BASE.

POLE/TRANSFORMER BASE GROUND - GROUND WIRE SHALL COME FROM THE GROUND ROD THROUGH THE PVC CONDUIT, CONNECTING TO THE TRANSFORMER BASE/POLE AND THEN TO EACH RIGID STEEL GROUNDING BUSHING.

**NOTES:**

ALL CONDUITS USED FOR THE GROUNDING, SPARES AND CONDUCTORS THAT ARE INSTALLED IN THE POLE BASE ARE INCIDENTAL TO BID ITEM '4740'. THIS INCLUDES PROVIDING A MINIMUM OF 24 INCHES OF CONDUIT PAST THE EDGE OF THE POLE BASE.

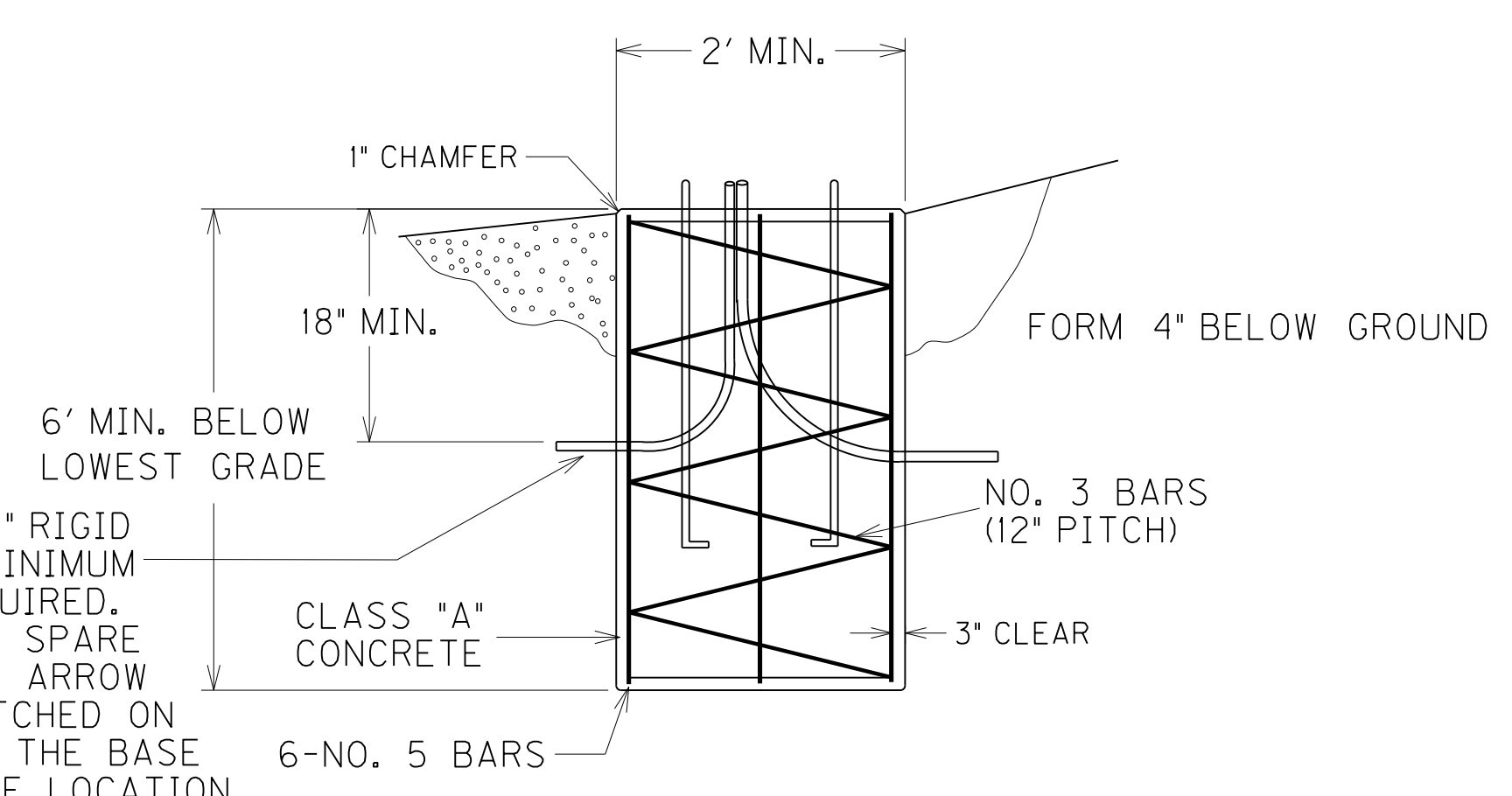


CONCRETE BASES SHALL BE POURED LEVEL. NO MORE THAN A 3/8" GAP SHALL EXIST BETWEEN CONCRETE BASE AND TRANSFORMER BASE WHEN THE POLE IS PLUMBED.

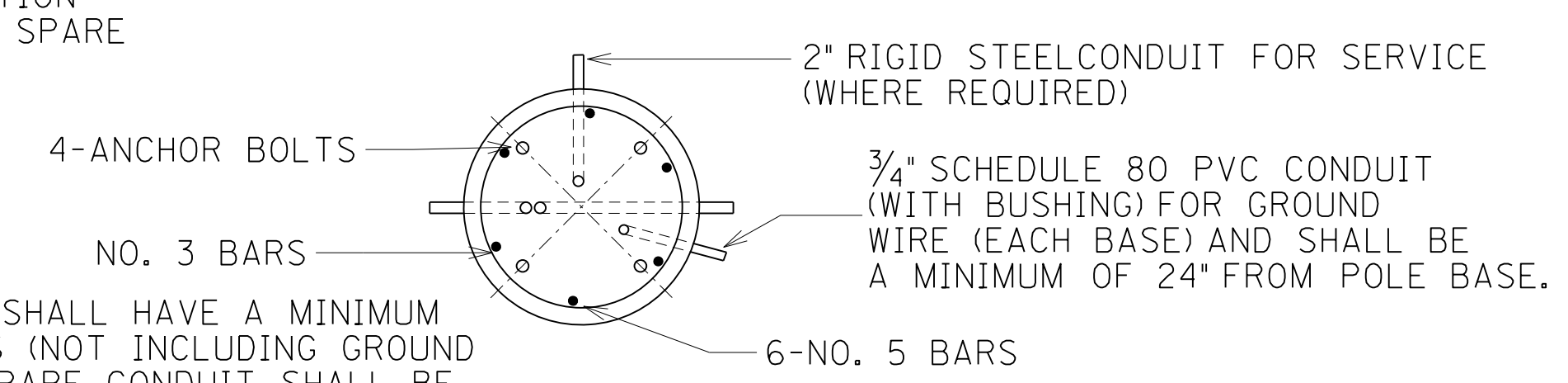
**TYPICAL CAST ALUMINUM TRANSFORMER BASE**

NOTE: THE TRANSFORMER BASE DOOR SHALL HAVE A 4" BY 6" ARC FLASH WARNING STICKER INSTALL 3" FROM THE TOP OF THE DOOR. THE STICKER SHALL BE METALCRAFT PLY695 PREM STYLEMARK LABEL WITH .007 THICKNESS, WITH UV WHITE POLYCARBONATE MATERIAL, AND WITH MC53FL PRESSURE SENSITIVE ADHESIVE OR APPROVAL EQUAL. THIS SHALL BE INCIDENTAL TO PROJECT.

TRANSFORMER BASE DETAIL



RACEWAY 1 1/4" RIGID STEEL MIN. MINIMUM OF TWO REQUIRED. IF ONE IS A SPARE CONDUIT, AN ARROW SHALL BE ETCHED ON THE TOP OF THE BASE TO SHOW THE LOCATION /DIRECTION OF THE SPARE CONDUIT.



NOTE: PRECAST CONCRETE BASES ARE NOT ACCEPTABLE

**FOUNDATION DETAIL**

FILE NAME: G:\PWORK\T.D.SWANSEGAR\MS28754\06-TFORMER BASE (CL).DGN  
 USER: ted.swansegar  
 DATE PLOTTED: March 20, 2017  
 E-SHEET NAME:  
 MicroStation v8.11.7.443